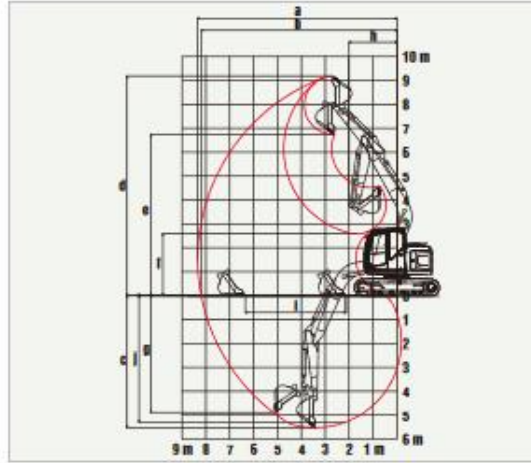




Working Ranges

Unit: m

Range	Boom		4.68 m
	2.09 m	2.38 m	2.84 m
a - Max. digging reach	8.04	8.34	8.78
b - Max. digging reach at ground level	7.89	8.19	8.64
c - Max. digging depth	5.23	5.52	5.98
d - Max. digging height	8.92	9.19	9.56
e - Max. dumping clearance	6.47	6.74	7.11
f - Min. dumping clearance	2.90	2.58	2.22
g - Max. vertical wall digging depth	4.68	4.89	5.44
h - Min. swing radius	2.07	2.00	2.40
i - Horizontal digging stroke at ground level	3.69	4.21	4.70
j - Digging depth for 2.4 m (8') flat bottom	4.96	5.29	5.79
Bucket capacity ISO heaped m ³	0.57	0.60	0.38



Digging Force (ISO 6015)

Unit: kN (kgf)

Arm length	2.09 m	2.38 m	2.84 m
Bucket digging force		90.1 (9,190)	
Arm crowding force		64.4 (6,570)	

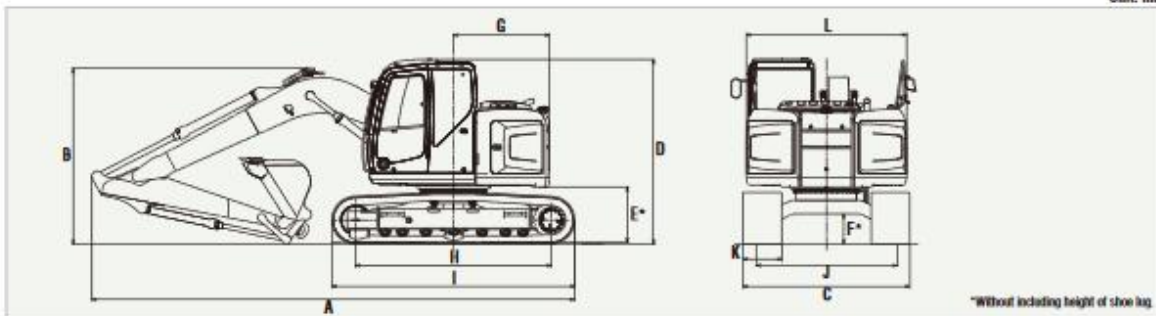
Dimensions

Arm length	2.38 m
A Overall length	7,500
B Overall height (to top of boom)	2,730
C Overall width of crawler	2,590
D Overall height (to top of cab)	2,870
E Ground clearance of rear end*	865
F Ground clearance*	445

Unit: mm	
G Tail swing radius	1,490
H Tumbler distance	3,040
I Overall length of crawler	3,770
J Track gauge	1,990
K Shoe width	600
L Overall width of upperstructure	2,190

* Without including height of shoe lug.

Unit: mm



*Without including height of shoe lug.